

www.aeroboom.com
info@aeroboom.com

MANUAL PULLER

Manual Pullers

The Posi Lock® line of quality manual gear and bearing pullers sets the standard for quickness, ease and convenience. With Posi Lock, it's strictly a one-man operation. The T-handle and Cage® control the jaws at all times. This means that the opening, closing, locking and aligning of the jaws are all done automatically by simply turning the T-handle.

Posi Lock pullers have been designed for effective removal of stubborn gears, bearings, pulleys, and other press fit items from any machine in diverse industries.

Shown here is the complete line of 2- and 3-jaw Posi Lock pullers, ranging from 1- to 40-ton capacity.



The Cage® is the Key

If you have ever had a puller slip off, snap back, or you needed an additional set of hands to hold the jaws for setup, you'll appreciate Posi Lock's patented Cage design with superior locking power and no slippage.

Posi Lock is a general purpose puller that eliminates many specialty pullers and accessories such as:

- Bearing Splitters
- Power Steering Puller
- Harmonic Balancer Puller
- Pitman Arm Puller
- Steering Wheel Puller
- Differential Side Bearing Puller
- Brake Drum Puller
- Battery Terminal Puller
- Timing Gear Puller
- Alternator Pulley Puller



Lock on ball grooves and bearing races



Tapered jaw design allows clamping around bearing for a perfect pull

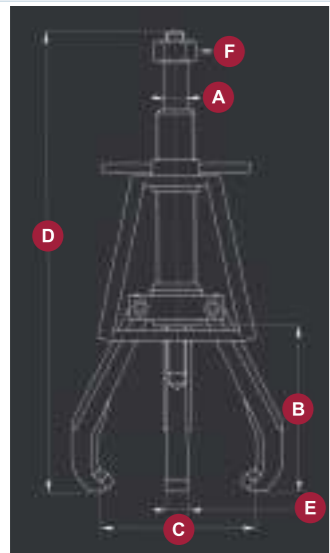


Tapered roller bearing on shaft

Manual Pullers

Manual Pullers

EXTERNAL PULLERS



2- and 3-Jaw External Pullers



PMI6 Internal Puller

Model Number	Number of Jaws	Capacity Tons	Center Bolt Diameter in. (mm)	Maximum Reach in. (mm)	Spread Range in. (mm)	Maximum Torque ft./lb. (N•m)	Weight lbs. (kg)	Dimensions			Optional Accessories			
								Overall Length in. (mm)	Jaw Width in. (mm)	Hex Socket Size in. (mm)	Tip Protectors*	Bolt Extenders	Long Jaws	Transmission Jaws
202	2	1	.31 in. (7.9 mm)	2.25 in. (57 mm)	.25 to 3.25 in. (6.4 to 82.6 mm)	—	.62 lbs. (.28 kg)	5.52 in. (140.2 mm)	.25 in. (6.4 mm)	—	—	—	—	—
102	3	1	.31 in. (7.9 mm)	2.25 in. (57 mm)	.25 to 3.25 in. (6.4 to 82.6 mm)	—	.68 lbs. (.31 kg)	5.52 in. (140.2 mm)	.25 in. (6.4 mm)	—	—	—	—	—
203	2	2	.37 in. (9.4 mm)	3 in. (76.2 mm)	.25 to 4.5 in. (6.4 to 114.3 mm)	—	1.12 lbs. (.51 kg)	7 in. (177.8 mm)	.31 in. (8 mm)	—	—	—	—	—
103	3	2	.37 in. (9.4 mm)	3 in. (76.2 mm)	.25 to 4.5 in. (6.4 to 114.3 mm)	—	1.3 lbs. (.59 kg)	7 in. (177.8 mm)	.31 in. (8 mm)	—	—	—	—	—
204	2	2	.5 in. (12.7 mm)	4 in. (102 mm)	.5 to 5 in. (13 to 127 mm)	20 ft./lb. (27 N•m)	3.2 lbs. (1.5 kg)	10.05 in. (255.3 mm)	.62 in. (15.8 mm)	3/4 in. (19 mm)	P-4	X-4	—	—
104	3	5	.5 in. (12.7 mm)	4 in. (102 mm)	.5 to 5 in. (13 to 127 mm)	40 ft./lb. (54 N•m)	4.1 lbs. (1.9 kg)	10.05 in. (255.3 mm)	.62 in. (15.8 mm)	3/4 in. (19 mm)	P-4	X-4	—	—
206	2	6	.62 in. (15.8 mm)	6 in. (152 mm)	.5 to 7 in. (13 to 178 mm)	75 ft./lb. (101 N•m)	7 lbs. (3.2 kg)	13.32 in. (338.3 mm)	.75 in. (19 mm)	3/4 in. (19 mm)	P-6	X-6	—	10654T
106	3	10	.62 in. (15.8 mm)	6 in. (152 mm)	.5 to 7 in. (13 to 178 mm)	130 ft./lb. (176 N•m)	8 lbs. (3.6 kg)	13.32 in. (338.3 mm)	.75 in. (19 mm)	3/4 in. (19 mm)	P-6	X-6	—	10654T
208	2	12	.75 in. (19 mm)	8 in. (203 mm)	.75 to 12 in. (19 to 305 mm)	150 ft./lb. (203 N•m)	12 lbs. (5.4 kg)	16.25 in. (412.8 mm)	.88 in. (22.2 mm)	1 in. (25.4 mm)	P-10	X-10	11054/11054L	11054T
108	3	17	.75 in. (19 mm)	8 in. (203 mm)	.75 to 12 in. (19 to 305 mm)	220 ft./lb. (297 N•m)	14 lbs. (6.4 kg)	16.25 in. (412.8 mm)	.88 in. (22.2 mm)	1 in. (25.4 mm)	P-10	X-10	11054/11054L	11054T
210	2	14	.75 in. (19 mm)	9.67 in. (246 mm)	1 to 15 in. (25 to 381 mm)	175 ft./lb. (237 N•m)	13 lbs. (5.9 kg)	20.41 in. (518.4 mm)	1 in. (25.4 mm)	1 in. (25.4 mm)	P-10	X-10	11054L	11054T
110	3	20	.75 in. (19 mm)	9.67 in. (246 mm)	1 to 15 in. (25 to 381 mm)	275 ft./lb. (372 N•m)	16 lbs. (7.3 kg)	20.41 in. (518.4 mm)	1 in. (25.4 mm)	1 in. (25.4 mm)	P-10	X-10	11054L	11054T
213	2	25	1.12 in. (28.5 mm)	12 in. (305 mm)	2.5 to 18 in. (64 to 457 mm)	475 ft./lb. (642 N•m)	38 lbs. (17.3 kg)	27.25 in. (692.2 mm)	1.25 in. (32 mm)	1 1/4 in. (32 mm)	P-13/16	—	11354L	—
113	3	30	1.12 in. (28.5 mm)	12 in. (305 mm)	2.5 to 18 in. (64 to 457 mm)	600 ft./lb. (811 N•m)	44 lbs. (19.9 kg)	27.25 in. (692.2 mm)	1.25 in. (32 mm)	1 1/4 in. (32 mm)	P-13/16	—	11354L	—
216	2	35	1.25 in. (32 mm)	14 in. (356 mm)	3 to 25 in. (76 to 635 mm)	800 ft./lb. (1,081 N•m)	57 lbs. (25.9 kg)	32.04 in. (813.8 mm)	1.50 in. (38 mm)	1 1/2 in. (38 mm)	P-13/16	—	11654L	—
116	3	40	1.25 in. (32 mm)	14 in. (356 mm)	3 to 25 in. (76 to 635 mm)	850 ft./lb. (1,149 N•m)	68 lbs. (30.9 kg)	32.04 in. (813.8 mm)	1.50 in. (38 mm)	1 1/2 in. (38 mm)	P-13/16	—	11654L	—

*Tip Protectors come standard with Models 204-116.

INTERNAL PULLERS

Model Number	Number of Jaws	Jaw Style	Maximum Reach in. (mm)	Jaw Length in. (mm)	Spread Range in. (mm)	Slide Hammer Weight lbs. (kg)	Dimensions			Optional
							Overall Length in. (mm)	Slide Rod Diameter in. (mm)	Jaw Width in. (mm)	Slide Hammer Weight lbs. (kg)
PMI6	3	Standard	5.87 in. (149.1 mm)	6.62 in. (168.1 mm)	.56 to 4 in. (14.2 to 101.6 mm)	2.5 lbs. (1.13 kg)	29 in. (736.6 mm)	.52 in. (13.2 mm)	.33 in. (8.4 mm)	5 lbs. (2.27 kg)
			Long	7.70 in. (195.6 mm)	8.62 in. (218.9 mm)	1 to 5.25 in. (25.4 to 133.4 mm)	2.5 lbs. (1.13 kg)	31 in. (787.4 mm)	.52 in. (13.2 mm)	.33 in. (8.4 mm)