

Hydraulic gauge and hydraulic fittings are included with presses,



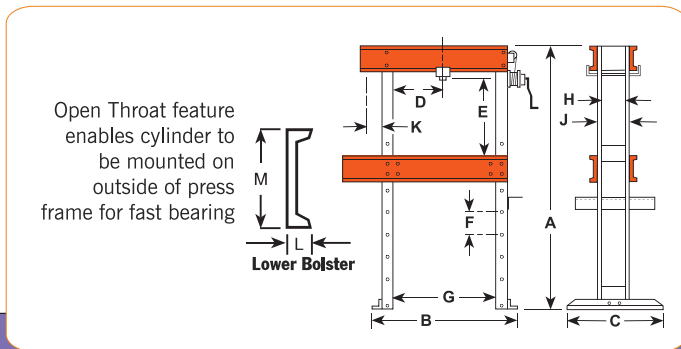
OPEN THROAT PRESSES

- Design permits use as both "H" frame and "C" frame press; cylinder can be mounted on frame extension to handle jobs which won't fit between uprights,
- Open throat press models are also available with remote control to enable the operator to view work from all sides with fingertip control of cylinder piston travel,
- Off-center pressing loads of full capacity can be applied across entire width of frame,

ECONOMY PRESSES

- Rugged, yet reasonably priced, Handles many "big press" tasks, and perfect for many of the "in-between" jobs you see almost daily,

Note: Stroke length limited to 159 mm on economy models



H FRAME

H Frame Open Throat & Economy Press 25 Ton presses

FEATURES OF BOTH OPEN THROAT AND ECONOMY PRESSES

- Press bed height easily adjustable with winch, Bed will not drop when handle is released,
- Choice of power sources for rapid cylinder advance: two-speed hydraulic hand pump, electric/hydraulic or air/hydraulic,

PUMP ELECTRICAL SPECIFICATIONS

APE30 Series – 0,37kW

APE40 Series – 0,37kW (available in 115 volt, 60 cycle or 220 volt, 50 cycle, single phase)

Dimensions

A (mm)	B (mm)	C (mm)	D* (mm)	E (mm)	F (mm)	G (mm)	H (mm)	J (mm)	K (mm)	L (mm)	M (mm)	Floor Space (mm)
1,727	1,092	711	76-737	175-1,102	114	813	140	165	178	64	203	1,092 x 711

*Lateral head movement

TECHNICAL DATA

Model Number	Cap. (tons)	Type of Cylinder Used	Stroke (mm)	Cylinder Model	Speed (mm/min)**		Type pump	Valve Type	Model Pump	Prod. Wt. (kg)
					Advance	Pressing				
"Open Throat" Presses										
ASPA2514	25	S/A	362	ARC-2514	249	30	Air	2-Way Foot	PA-010	309
ASPM2514	25	S/A	362	ARC-2514	12.4mm /stroke	0.8mm /stroke	Hand	load Release	P-105	314
ASPE2514	25	S/A	362	ARC-2514	1184	84	Elec.	2-Way**	APE30M3	301
ASPE2514S	25	S/A	362	ARC-2514	1321	102	Elec.	3-Way*	APE30M4	344
ASPE2514DS	25	D/A	362	ARR-3014	1321	102	Elec.	4-Way*	APE40W4	357
"Economy" Presses										
ASPA256	25	S/A	159	ARC-256	249	30	Air	2-Way Foot	PA-010	197
ASPM256	25	S/A	159	ARC-256	3.0mm /stroke	0.8mm /stroke	Hand	load Release	P-105	205
ASPE256	25	S/A	159	ARC-256	1184	84	Elec.	2-Way**	APE30M3	210

†Solenoid valve with 12 volt remote control hand switch,

††Holds pressure with motor shut off, Also has an automatic dump setting, Furnished with a 3,1m remote motor control,

†††Typical performance based on 100 psi and 10,000 psi pump specifications, Actual speeds may vary under operating conditions,

‡Pump standard with press, Other Aeroboom pumps can be substituted, dBA at idle and 10,000 psi: APE30M3–67/81 dBA; APE30M dBA measured at 3 foot distance, all sides,

Available with 115 Volt, 60hz motor (to order, remove suffix "-220" from ASPA No,