

H FRAME

100, 150 & 200 ton Presses



- Cylinder work head glides across upper frame on rollers, locks in place for off-center pressing jobs, May be used horizontally for special pressing applications with user supplied supports,
- Press bed is raised and lowered by winch which locks in place for insertion of bed retaining pins, Upper bolster can be lowered 8" for convenient positioning on repetitive jobs,
- Generous "daylight" accommodates bulky work pieces, uprights are placed for easy side entry of bars or shafts for straightening or bending,
- Choice of single- or double-acting cylinder, Hydraulic pump options include: 2-speed hand pump with large 7, 6 l reservoir, APE30M3 electric/hydraulic pump or "APQ" series "Quiet" electric/hydraulic pump with low noise level,

PUMP ELECTRICAL SPECIFICATIONS

APE30M Series – 0,37kW, 220 Volt, 50 cycle, single phase, Also available in 115 volt, 60 cycle, remove suffix "-220" from order no,

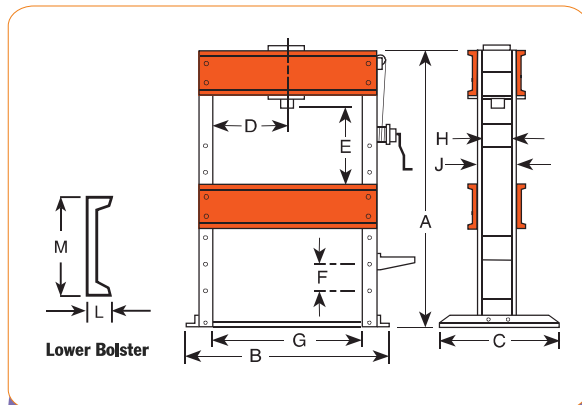
APE40S Series– 1,49kW, 230 volt, 50 cycle, single phase, Available in 115 volt, 60 cycle, remove suffix "-220" from order no,

APE40M Series– 2,24kW, 380 volt, 50Hz, three phase, (Suitable for 415V/50Hz/3 phase)

Also Available in 460/60Hz/ 3 phase, remove suffix "-380" from order no, (Suitable for 440V/50Hz/3 Phase)



No, SF150– Straightening fixtures for use with 100 ton shop press and 100-, 150-, and 200-ton Roll Bed presses (2 ea.), Wt., 196 lbs, **Not part of press, order separately,**



Dimensions

Cap	A (mm)	B (mm)	C (mm)	D* (mm)	E (mm)	F (mm)	G (mm)	H (mm)	J (mm)	L (mm)	M (mm)	Floor Space (mm)
100T	1,962	1,626	914	178-1,092	51-1,067	203	1,270	203	254	86	381	914 x 1,988
200T	2,286	1,803	1,118	279-991	228-1,111	279	1,270	318	381	105	457	1,117 x 1,803

*Lateral head movement

TECHNICAL DATA

Model Number	Cap. (tons)	Type of Cylinder Used	Stroke (mm)	Cylinder Model	Speed (mm/min)**		Type pump	Valve Type	Model Pump	Prod. Wt. (kg)
					Advance	Pressing				
ASPM10010	100	S/A	260	ARC-10010	9.0mm /stroke	9.0mm /stroke	Hand	3-Way	P-123	769
ASPE10010	100	S/A	260	ARC-10010	889	74	Elec.	3-Way	PE-6B8M	813
ASPE10010R	100	S/A	260	ARC-10010	292	20	Elec.	2-Way	PE-6B2S	766
ASPE10013DS	100	D/A	333	ARR-10013	889	147	Elec.	4-Way *	PE-6B5DM	854
ASPE15013DS	150	D/A	333	ARR-15013	610	99	Elec.	4-Way**	PE-10B5DM	1366
ASPE20013DS	200	D/A	333	ARR-20013	457	74	Elec.	4-Way**	PE-10B5DS	1484

* Solenoid valve with 24 volt remote control hand switch,

† Frame is shipped assembled,

†† Typical performance based on 100 psi and 10,000 psi pump specifications, Actual speeds may vary under operating conditions,

‡ Pump standard with press, Other Aeroboom pumps can be substituted,